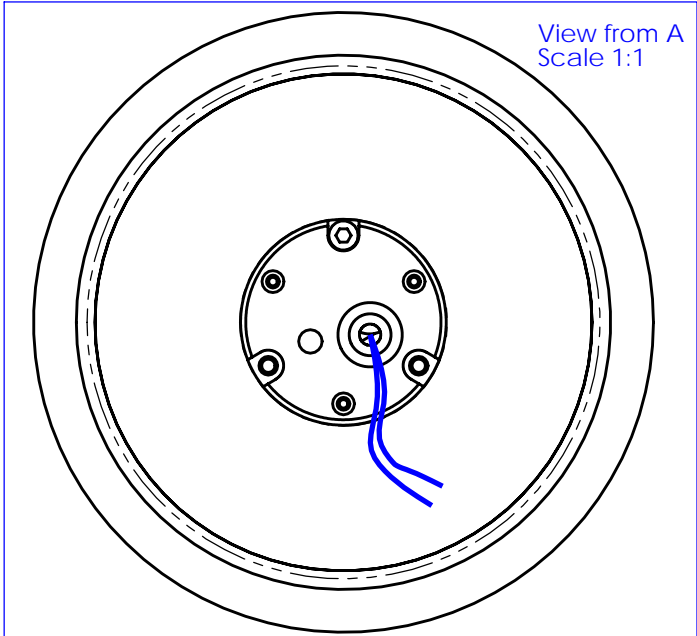
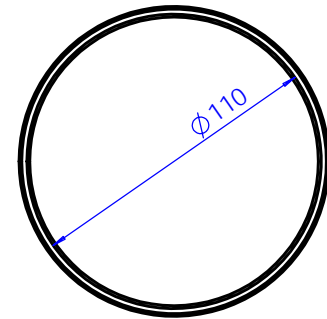
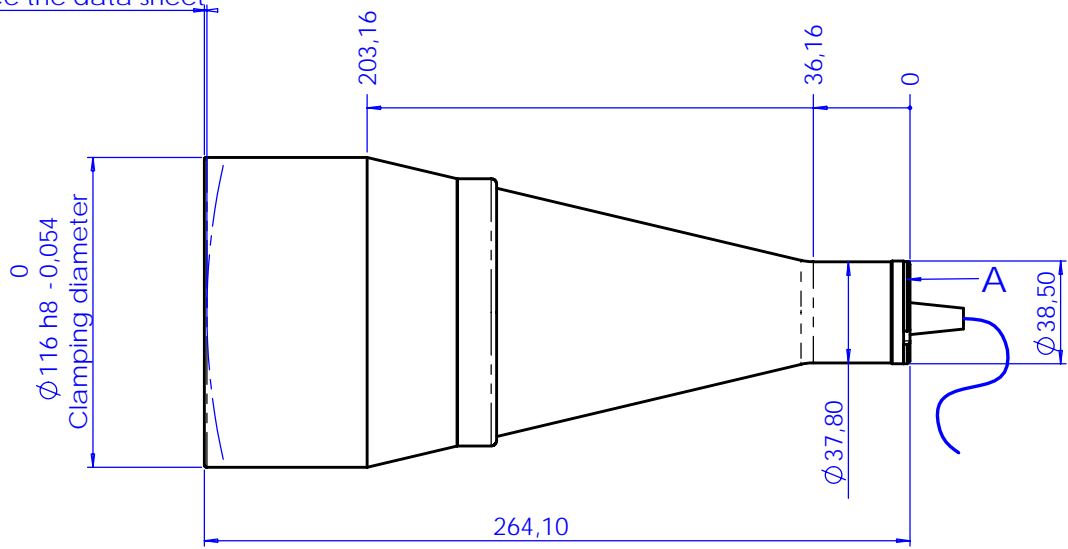


Rev No.	Description	Date	Name
D	First light	10/05/06	A.Vismara
E	New LED holder	10/05/08	A.Vismara

1
From lens to chassis edge
W.D.- see the data sheet



View from A
Scale 1:1

Material	N.A.		Mass	1.40 kg	Scale	1:2																															
Surface treatment	N.A.		Project-Prod.Item/Instrument		LT CL 80																																
Geometrical tolerance (ISO 2768-2)			Description		Assembly																																
<table border="1"> <thead> <tr> <th colspan="2">Linear tolerance (ISO 2768-2)</th> <th>Class</th> <th>K</th> <th rowspan="2">Undimensioned bevels</th> <th rowspan="2">1x45°</th> <th rowspan="2">Undimensioned radii</th> </tr> <tr> <th>0.5</th> <th>>3-</th> <th>>6-</th> <th>>30-</th> <th>>120</th> <th>>400-</th> <th>>1000</th> <th>>2000</th> </tr> </thead> <tbody> <tr> <td>+3</td> <td>6</td> <td>30</td> <td>120</td> <td>+400</td> <td>1000</td> <td>+2000</td> <td>+4000</td> </tr> <tr> <td>±0.1</td> <td>±0.1</td> <td>±0.2</td> <td>±0.3</td> <td>±0.5</td> <td>±0.8</td> <td>±1.2</td> <td>±2</td> </tr> </tbody> </table>			Linear tolerance (ISO 2768-2)		Class	K	Undimensioned bevels	1x45°	Undimensioned radii	0.5	>3-	>6-	>30-	>120	>400-	>1000	>2000	+3	6	30	120	+400	1000	+2000	+4000	±0.1	±0.1	±0.2	±0.3	±0.5	±0.8	±1.2	±2	Date		Name	
Linear tolerance (ISO 2768-2)		Class	K	Undimensioned bevels	1x45°	Undimensioned radii																															
0.5	>3-	>6-	>30-				>120	>400-	>1000	>2000																											
+3	6	30	120	+400	1000	+2000	+4000																														
±0.1	±0.1	±0.2	±0.3	±0.5	±0.8	±1.2	±2																														
 www.opto-engineering.com			Designed		10/05/08 A.Vismara																																
			Draw		10/05/08 A.Vismara																																
			Checked		X C. Sedazzari																																
Drawing No.			01276-0-E		Sheet 1/1																																
<i>Reproduction forbidden without specific authorization</i>																																					